

8. SIGNAL FLOW

AM RECEIVE SIGNAL FLOW

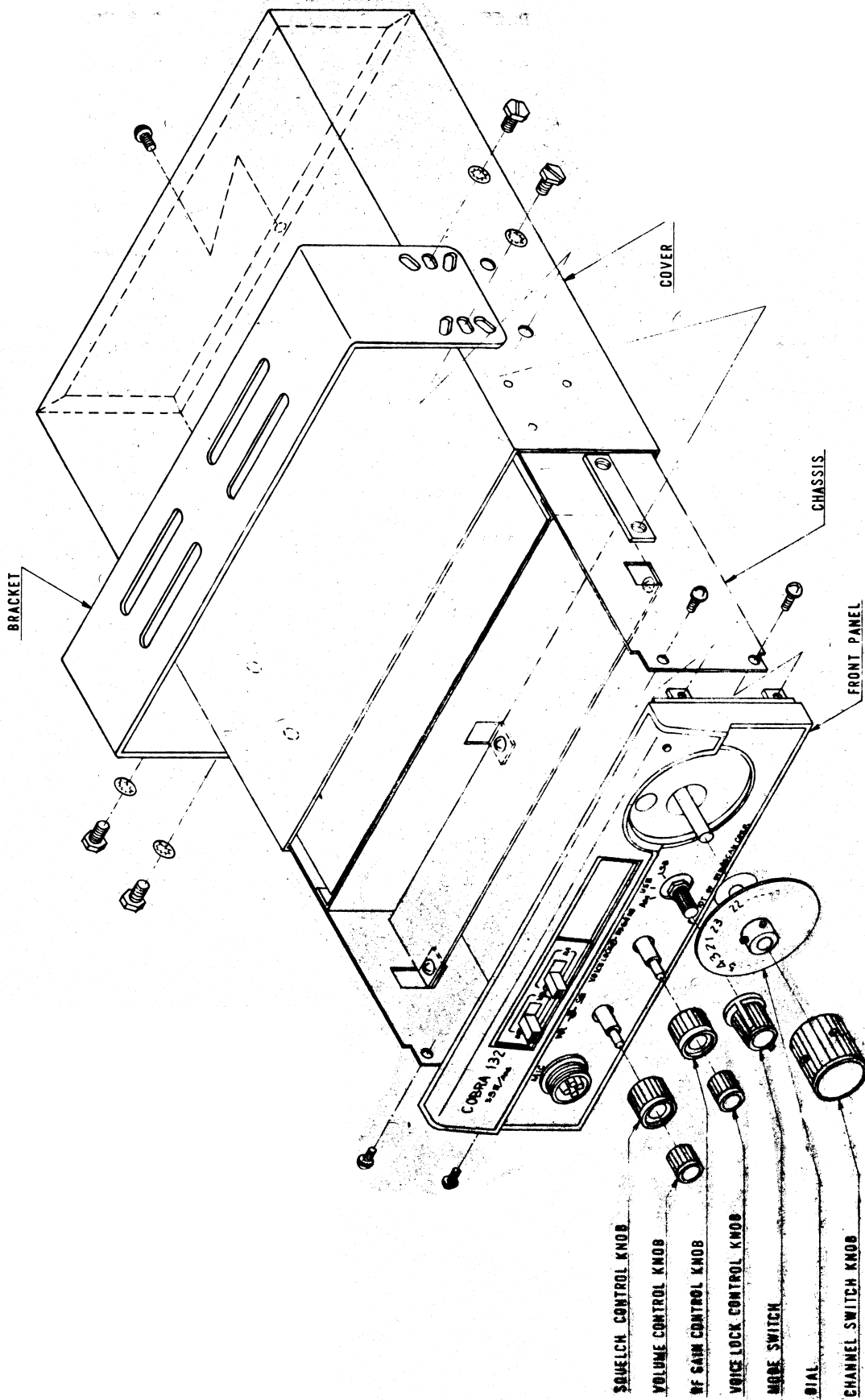
Q8	RF Amp.	27 MHz
Q9	AGC	27 MHz
Q10	RF Gain Control	27 MHz
U4	Noise Blanker	27 MHz, 7.8 MHz
Synthesizer	1st L.O.	19.2 MHz
Q11	1st Mixer	7.8 MHz
Q15	2nd L.O.	7.3 MHz
Q12	2nd Mixer	455 kHz
Q13, 14	IF Amp.	455 kHz
D25	Detector	Audio
D26	A.N.L.	Audio
Q31, 32, 34, 35, 36	Audio Amp.	Audio
CD24	S Meter Det.	DC
Q37, 38	Squelch Amp.	DC

SSB RECEIVE SIGNAL FLOW

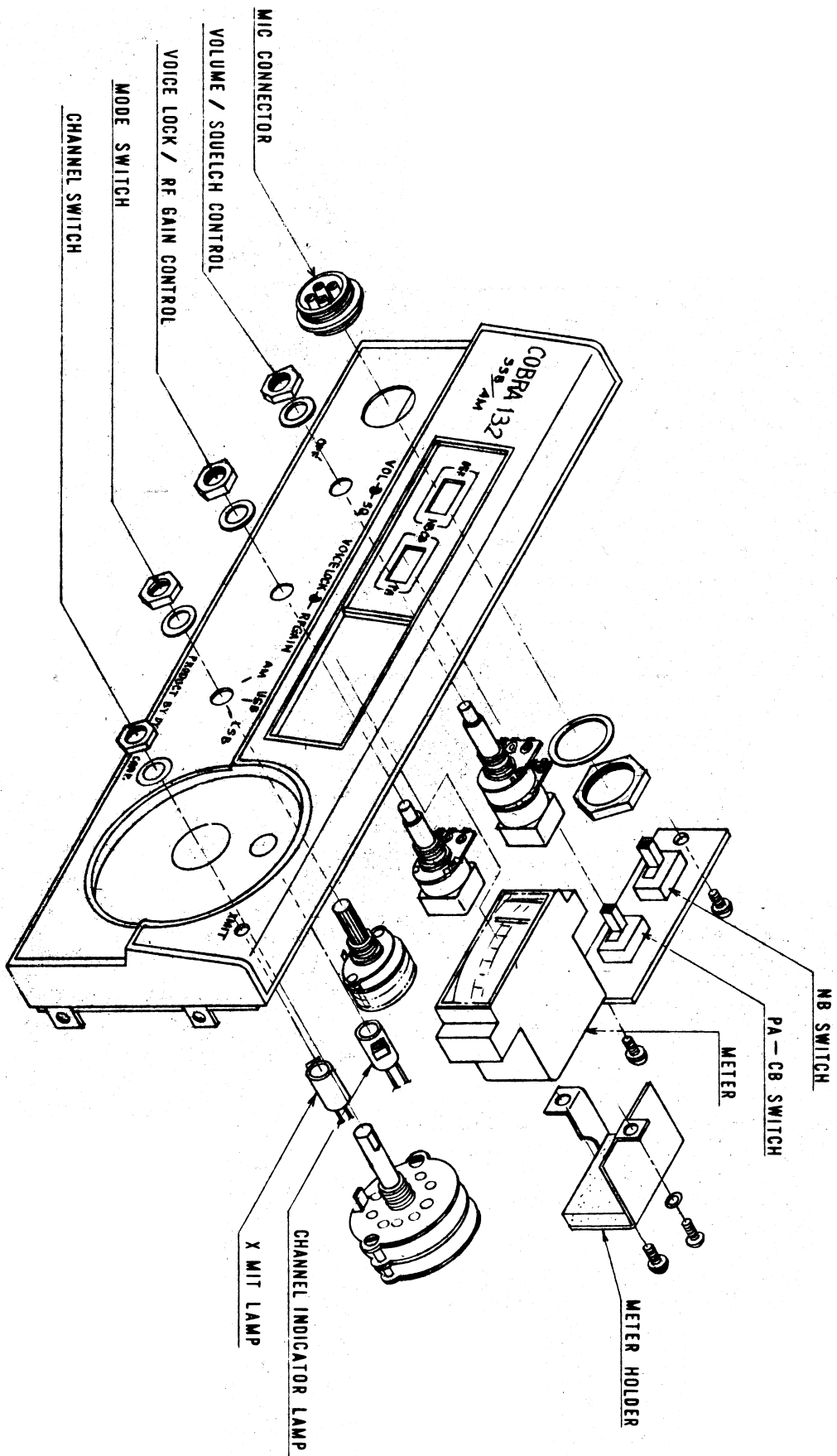
Q8	RF Amp.	27 MHz
Q9	AGC	27 MHz
Q10	RF Gain Control	27 MHz
U4	Noise Blanker	27 MHz, 7.8 MHz
Synthesizer	1st L.O.	19.2 MHz
Q11	1st Mixer	7.8 MHz
U1	Filter	7.8 MHz
IC1	IF Amp.	7.8 MHz
CD6, 7, 8, 9	Balanced Demodulator	Audio
Q1	LSB 2nd L.O.	7.8 MHz
Q2	USB 2nd L.O.	7.8 MHz

Q3	Buffer Amp.	7.8 MHz
CD6, 7, 8, 9	Balanced Modulator	7.8 MHz
U1	Filter	7.8 MHz
Synthesizer	Local, OSC	19.2 MHz
Q5, 6	Mixer	27 MHz
Q7	RF Amp.	27 MHz
Q19	RF Amp.	27 MHz
Q20	Driver	27 MHz
Q21, 22	Final Amp.	27 MHz
CD29	AGC Det.	DC
CD30	Lamp Det.	DC
Q23	Lamp Amp.	DC

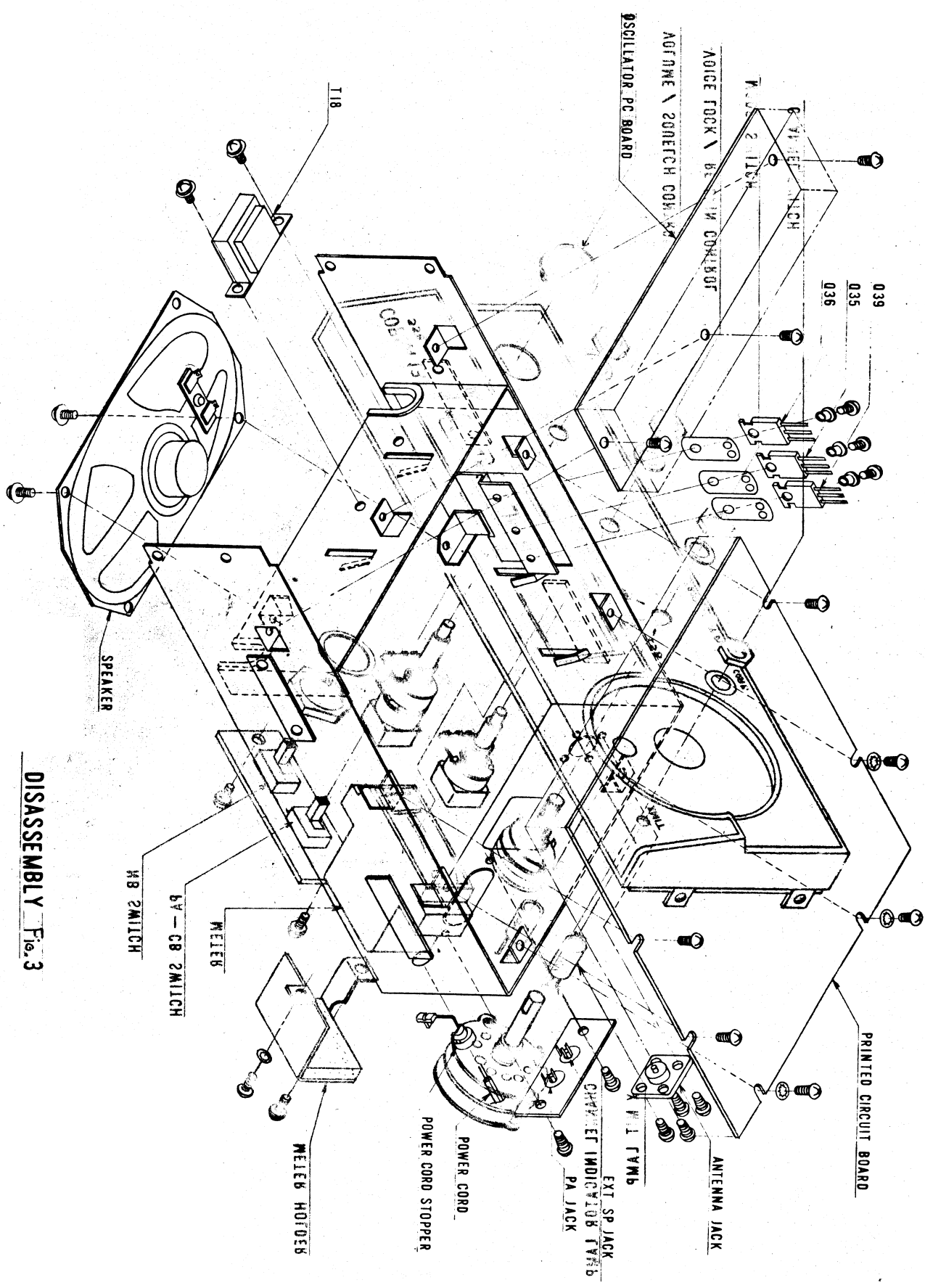
NOTE: Q22 used only in Version A.



DISASSEMBLY Fig. 1



DISASSEMBLY Fig. 2



DISASSEMBLY FIG. 3

DISASSEMBLY FIG. 5

039
035
036

OSCILLATOR PC BOARD
VOICE LOCK / BATT. IN CONTROL
VOICE LOCK / SQUEECH CONTROL

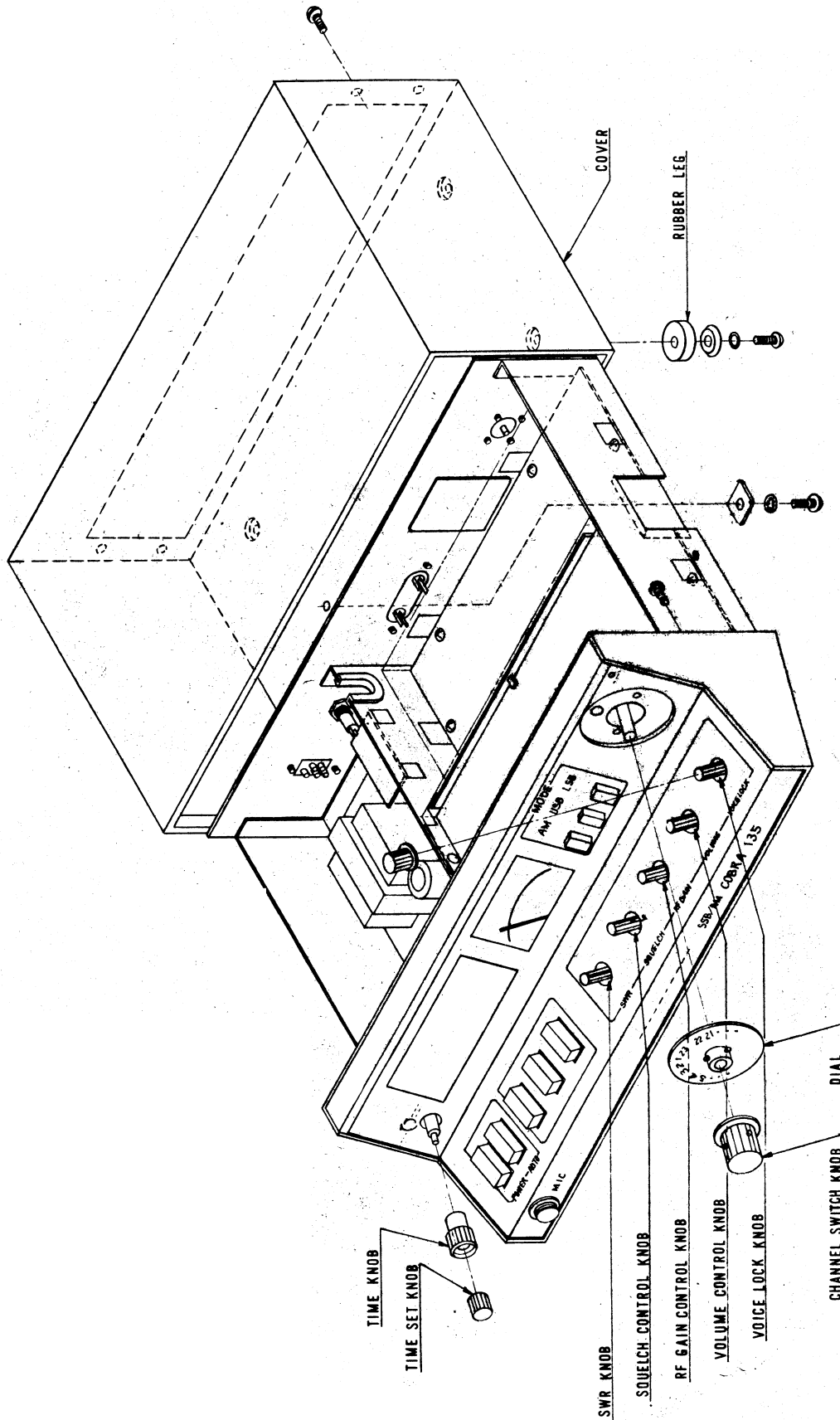
PRINTED CIRCUIT BOARD

ANTENNA JACK
EXT SP JACK
PA JACK
POWER CORD STOPPER
POWER CORD

MEITER HOLDER
MEITER
6V - CB SWITCH
HB SWITCH

SPEAKER

T18



TIME KNOB

TIME SET KNOB

SWR KNOB

SQUEECH CONTROL KNOB

RF GAIN CONTROL KNOB

VOLUME CONTROL KNOB

VOICE LOCK KNOB

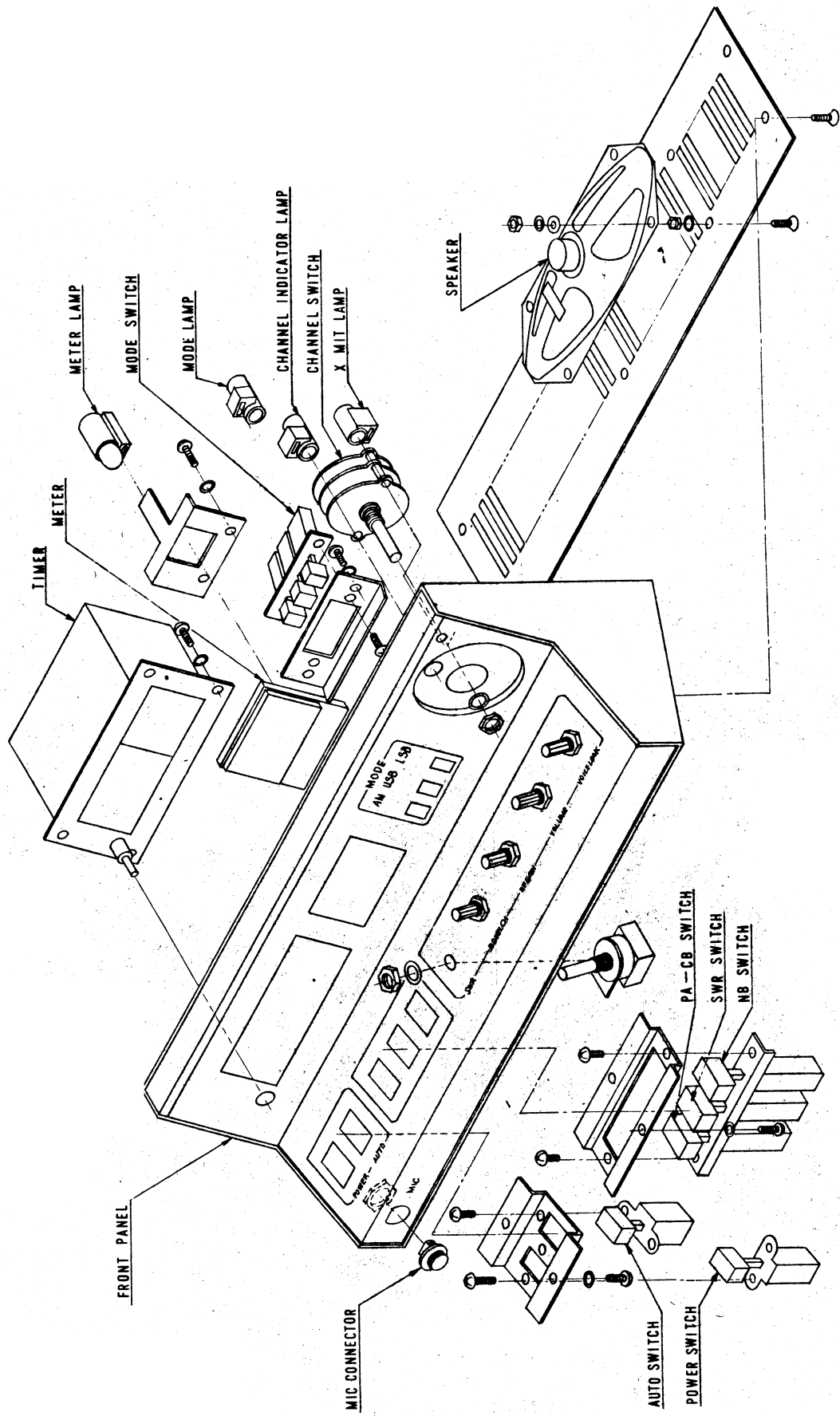
CHANNEL SWITCH KNOB

DIAL

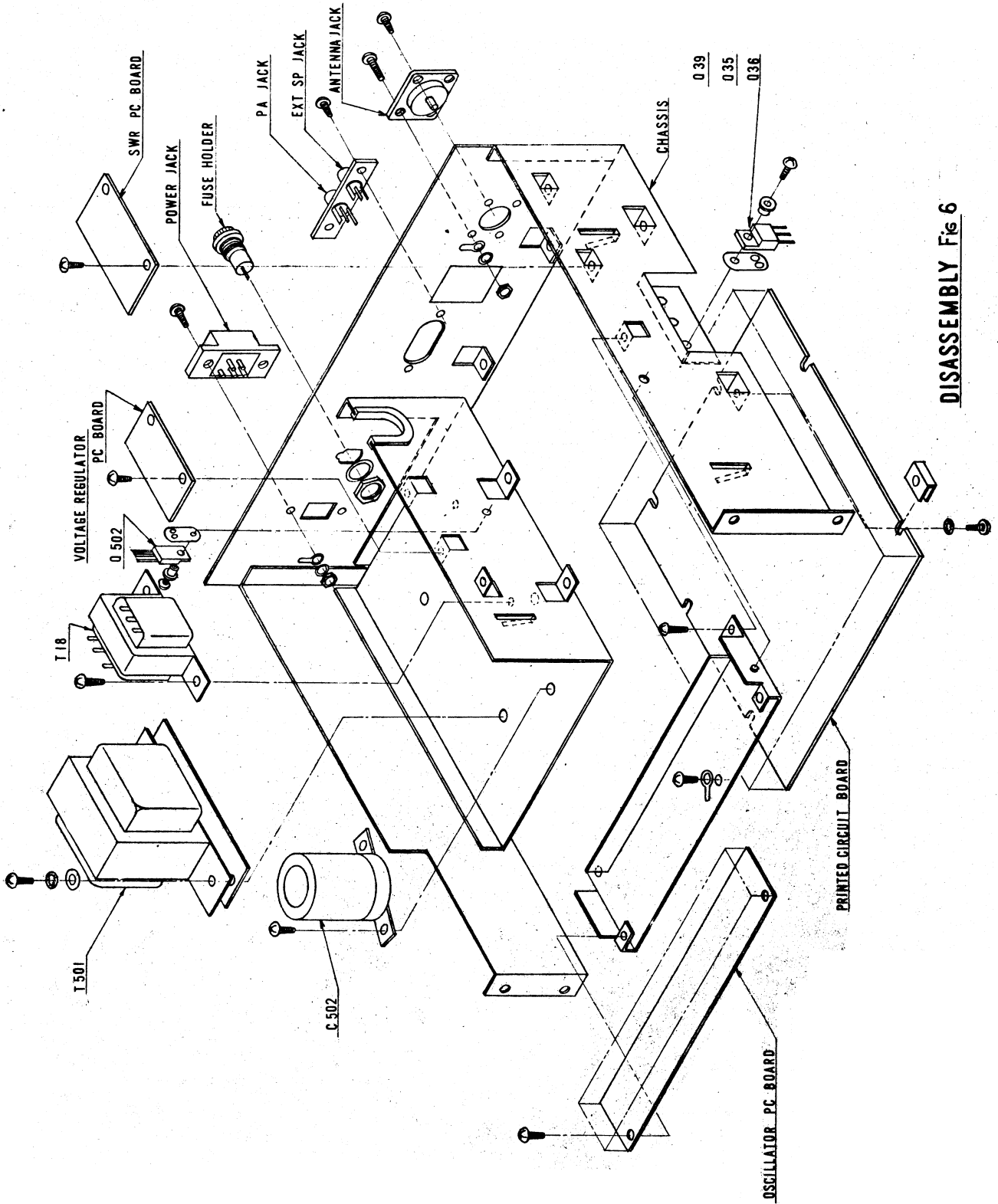
COVER

RUBBER LEG

DISASSEMBLY FIG. 4

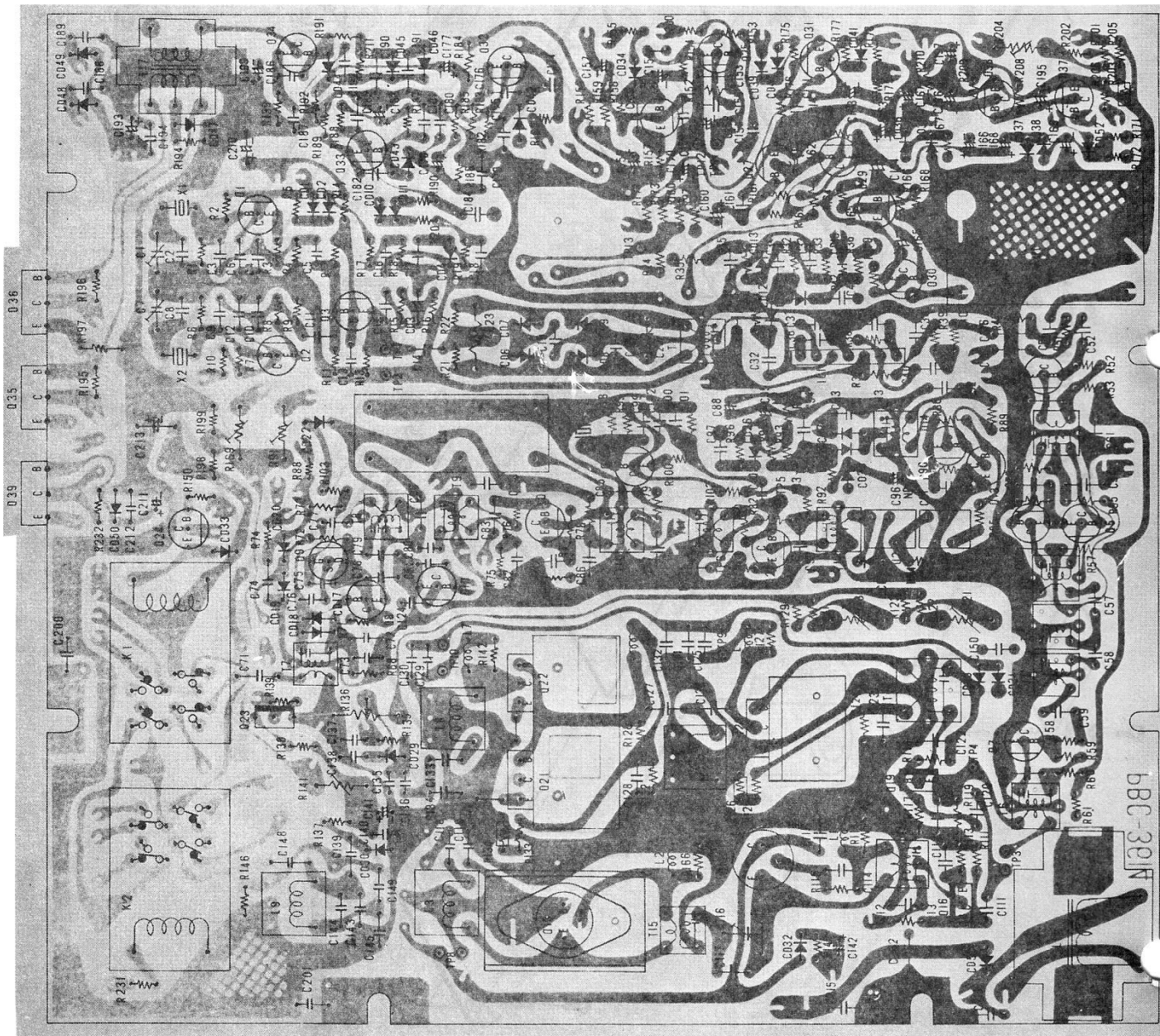


DISASSEMBLY Fig. 5



DISASSEMBLY Fig 6

CIRCUIT DIAGRAM
OF MAIN BOARD
TOP VIEW
VERSION A
FIG. 7



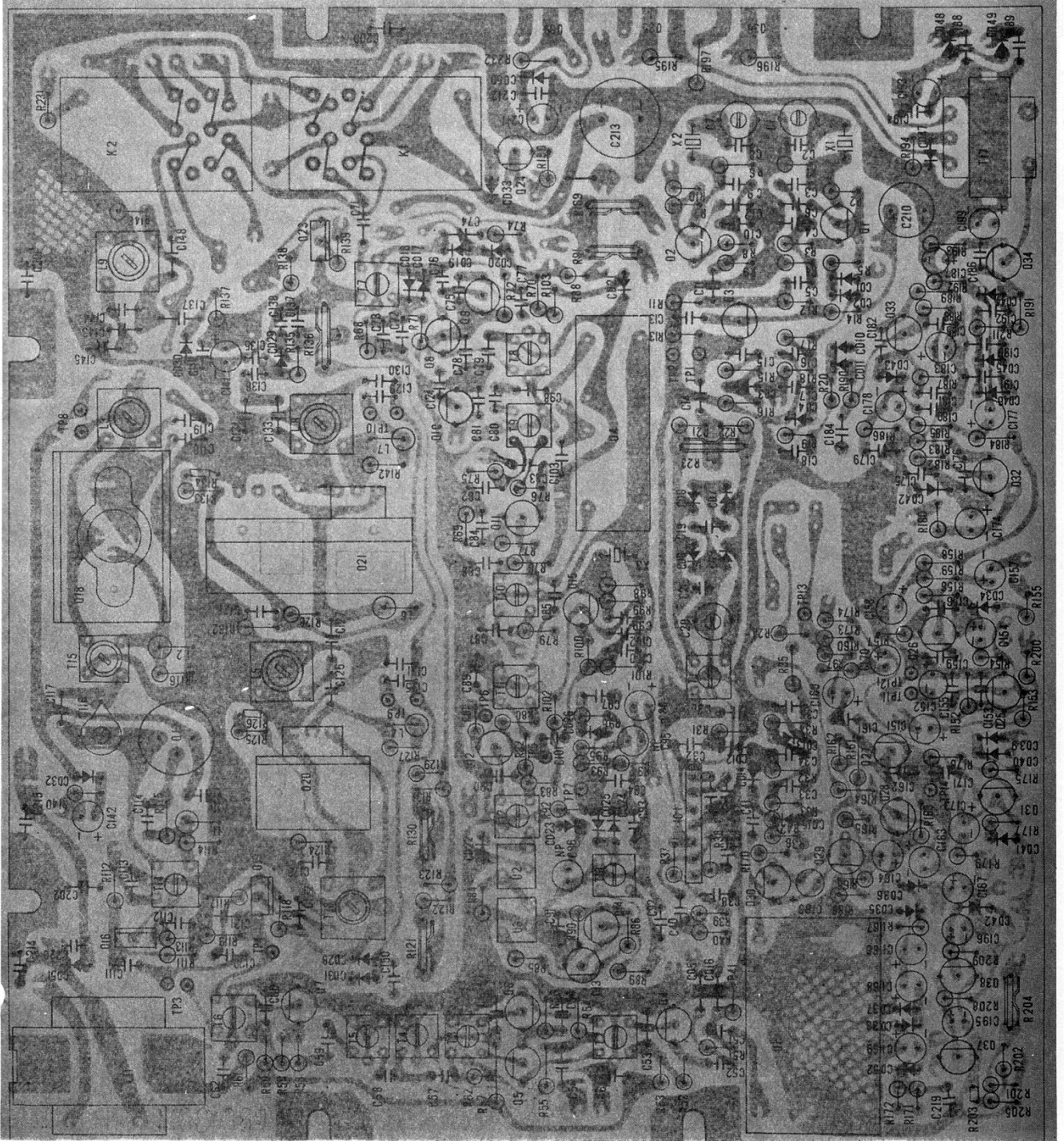
bbc-301A

CIRCUIT DIAGRAM OF MAIN BOARD

TOP VIEW

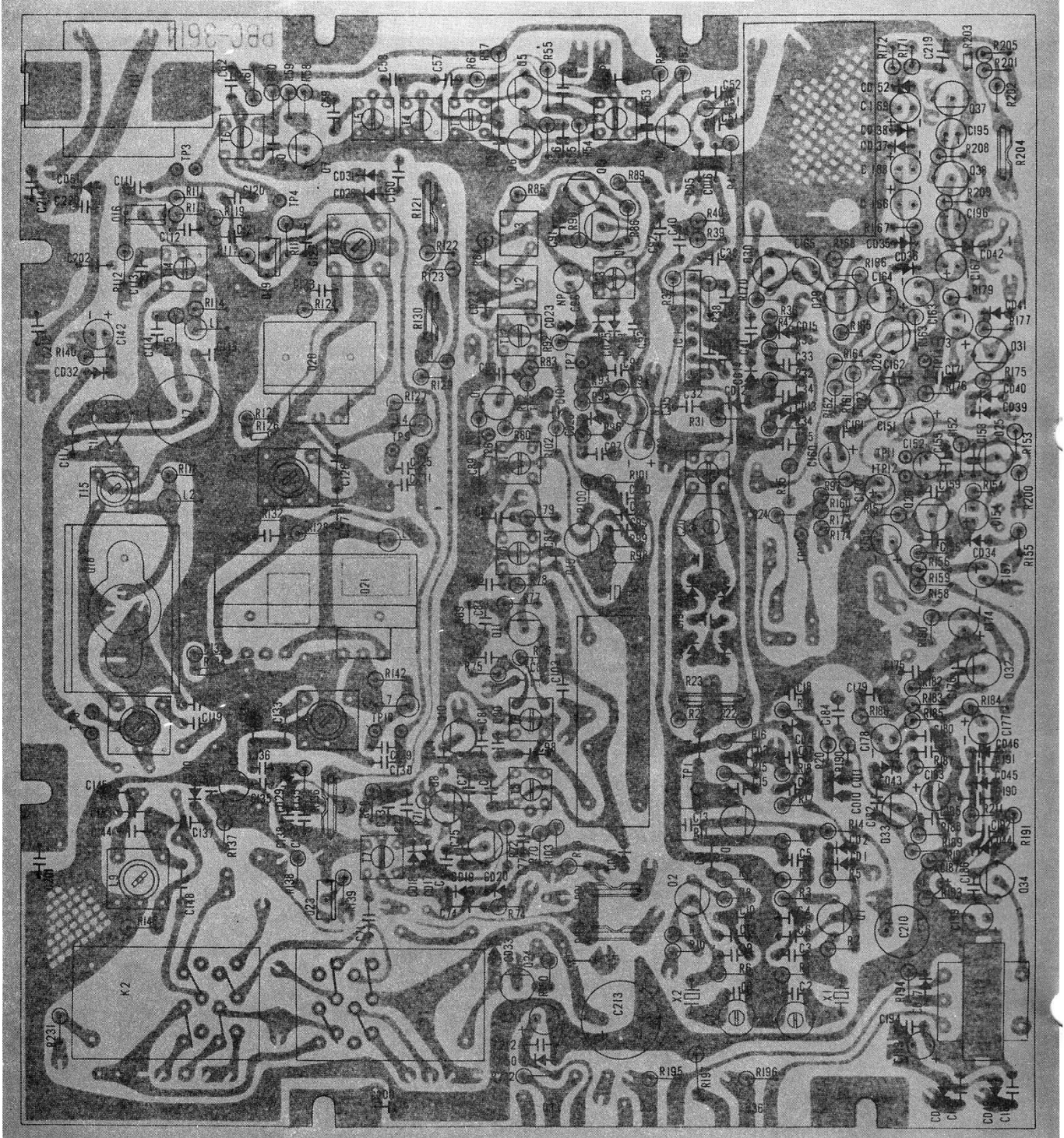
VERSION B

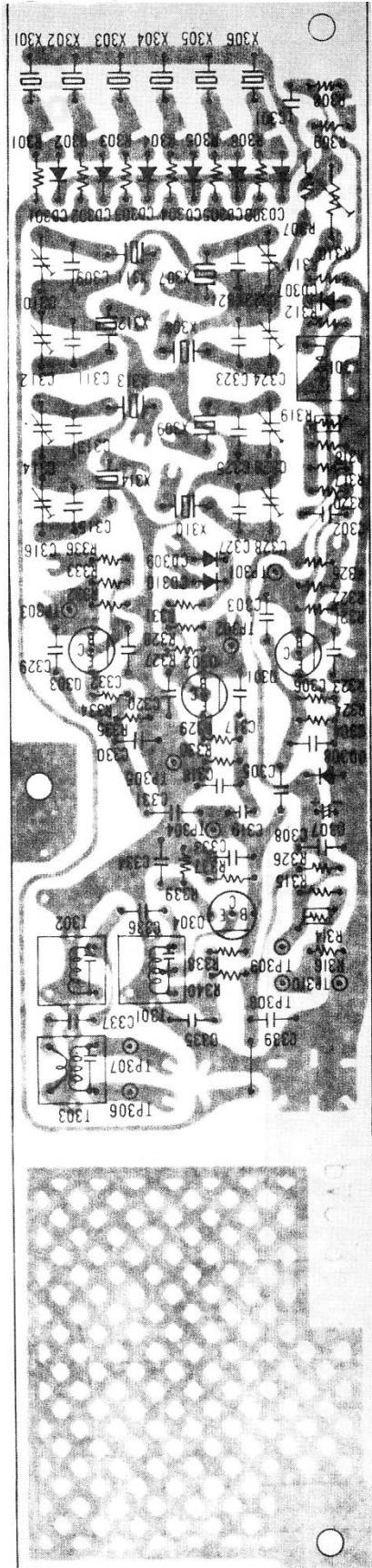
Fig. 8



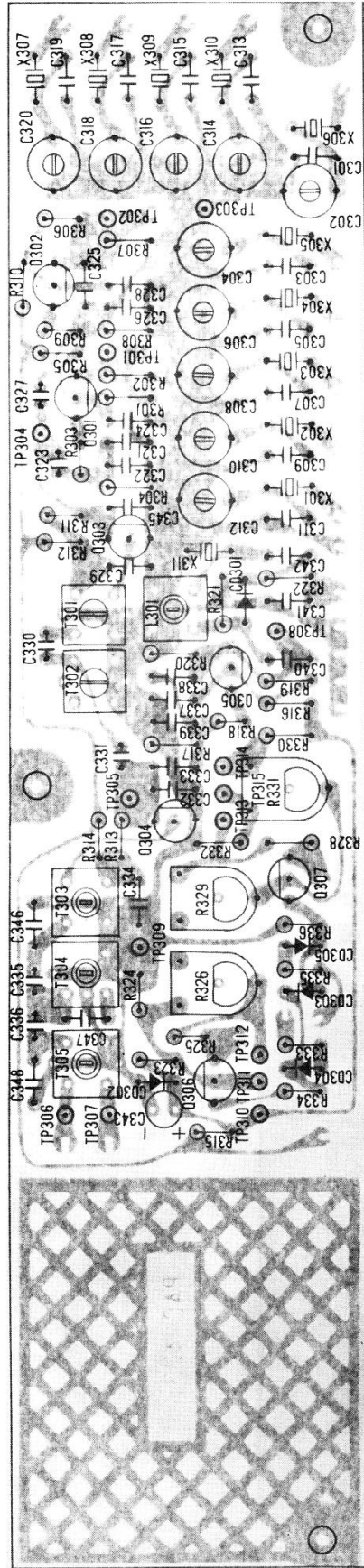
CIRCUIT DIAGRAM OF MAIN BOARD

Bottom View
VERSION B
FIG. 9





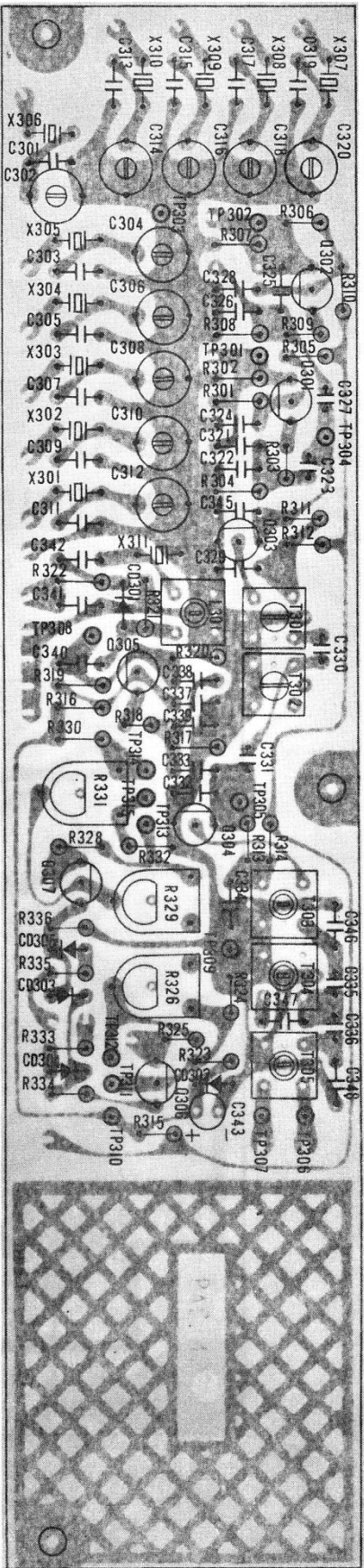
CIRCUIT DIAGRAM OF OSCILLATOR
TOP VIEW
VERSION A
Fig. 10



CIRCUIT DIAGRAM OF OSCILLATOR BOARD

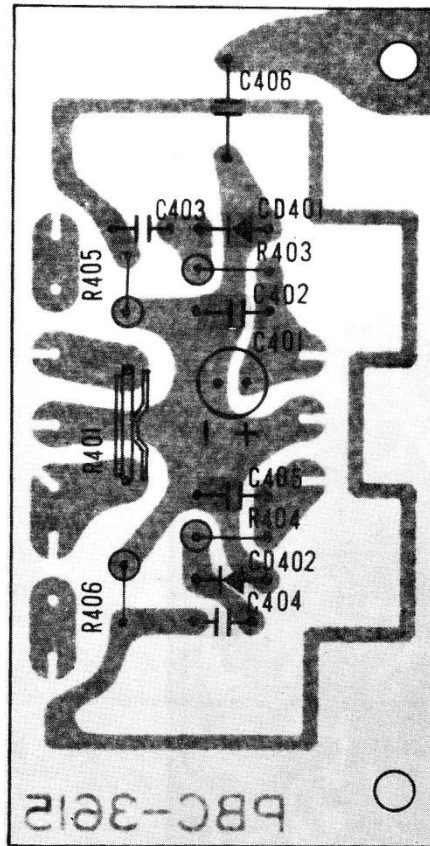
TOP VIEW

VERSION B
Fig. 11



**CIRCUIT DIAGRAM
OF OSCILLATOR BOARD**

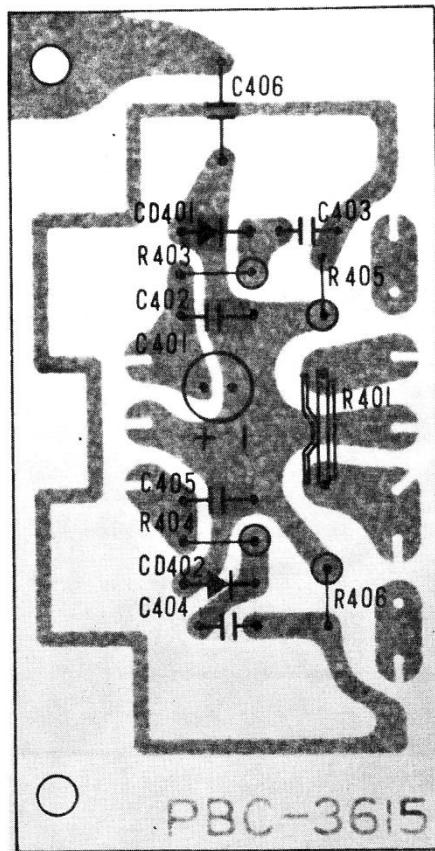
BOTTOM VIEW
VERSION B
FIG. 12



**CIRCUIT DIAGRAM
OF SWR BOARD**

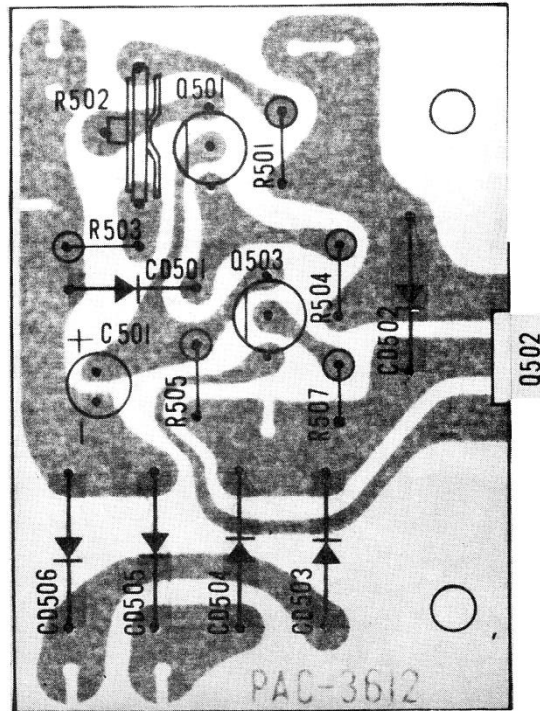
TOP VIEW

FIG. 13



**CIRCUIT DIAGRAM
OF SWR BOARD**

**BOTTOM VIEW
Fig. 14**



**CIRCUIT DIAGRAM
OF VOLTAGE REGULATOR BOARD**

BOTTOM VIEW
FIG. 16