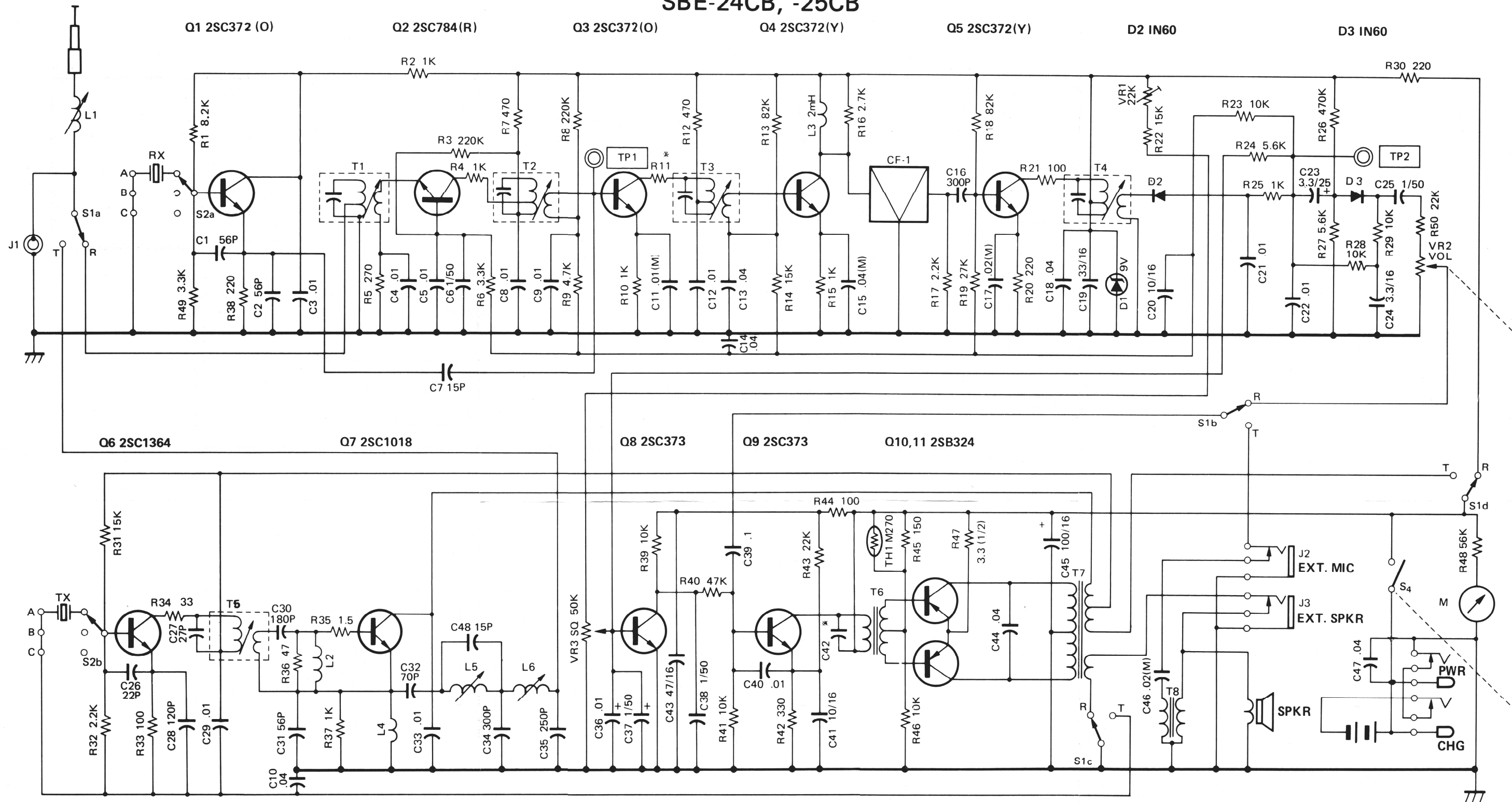


# SBE-24CB, -25CB



## NOTE:

- S2a,b,c: CHANNEL SW.
- S4: POWER SW W/VR1 VOL. CONT.
- RESISTANCE VALUES IN OHMS unless otherwise indicated (K=1000).
- CAPACITANCE VALUES IN MF unless otherwise indicated (P=MMF).

SBE 24/25 CB  
TRANSISTOR VOLTAGES

DEVICE	EMITTER	BASE	COLLECTOR	DEVICE	EMITTER	BASE	COLLECTOR
Q-1	0.81	1.34	4.7	Q-7	[0.04]	[0.03]	[11.55]
Q-2	0.55	1.32	5.87	Q-8	0	0	10.56
Q-3	0.91	1.43	8.30	Q-9	(0)	(0.76)	(0)
Q-4	1.76	2.39	8.77	Q-10	0	1.08	10.53
Q-5	1.57	2.25	8.20	Q-11	(0)	(0.2)	(12.5)
Q-6	[1.62]	[1.38]	[11.52]				

Voltages taken with 10MΩ V.T.V.M. with no signal input. Squelch at minimum. Volume at minimum.  
 [ ] = Voltages in transmit mode  
 ( ) = Voltages with maximum squelch.